

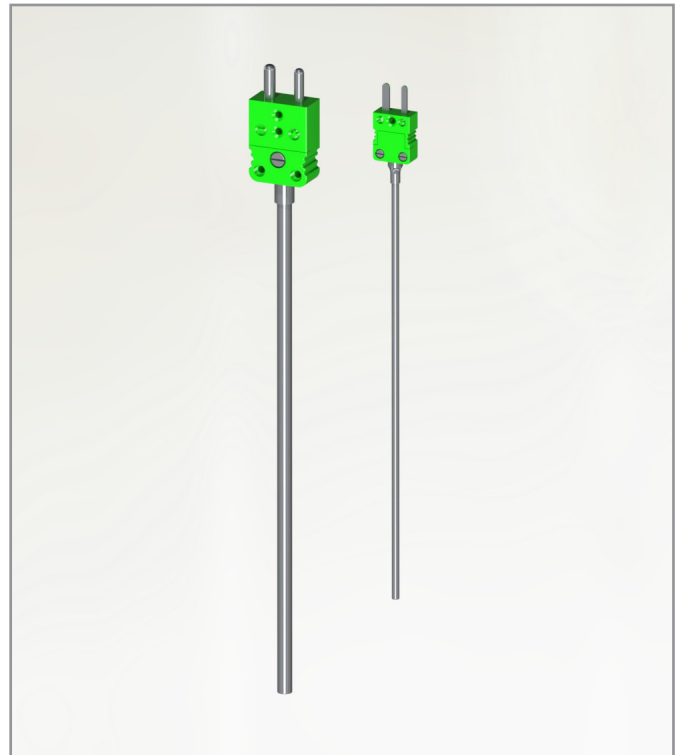
**EPIC® SENSORS T-M-313 or T-M-314**  
**Mineral insulated thermocouple insert with connector**

**Features**

- according to DIN 43721
- temperature range -200...+1200 °C
- thermocouple as sensing element
- thermocouple accuracy class 1 as standard delivery
- available with standard STD or mini-plug
- AISI 316L and INCONEL 600 as standard materials, other materials on request
- MI cable structured sensor element
- bendable
- vibration proof
- tailored solutions according to customer specific needs.

**Typical applications**

- energy and power plant technology
- process industry
- chemical industry
- machinery and vessel construction
- manufacturing industry.

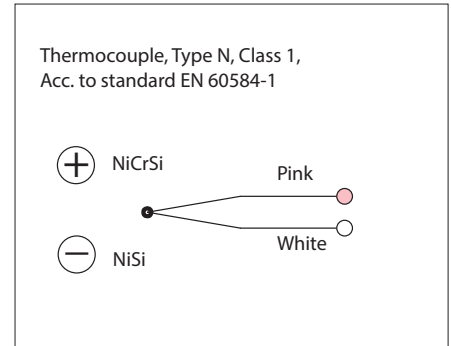
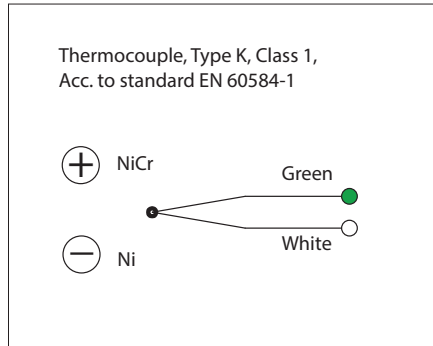
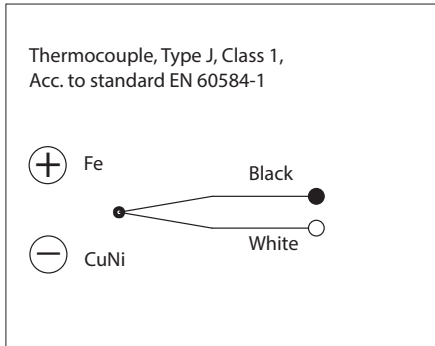


**Technical data**

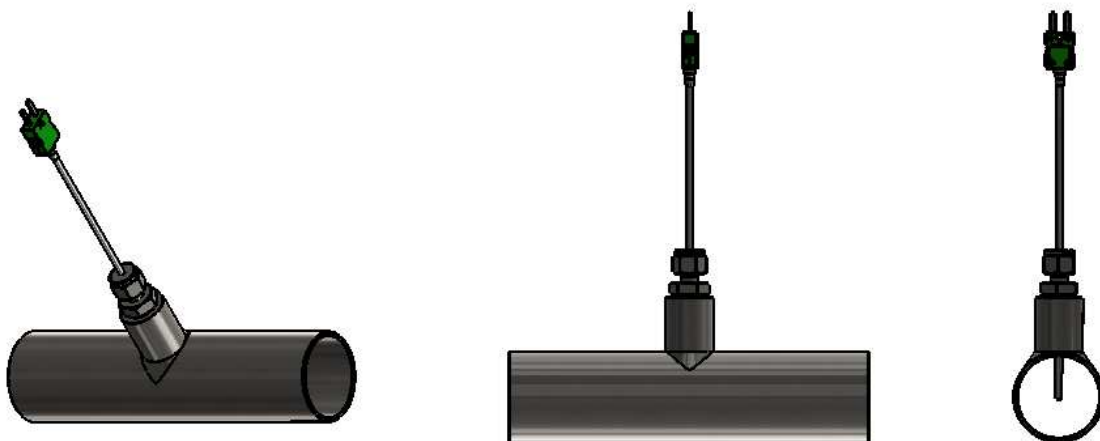
|  |   |
|--|---|
| <b>Materials</b>                           | AISI 316L, maximum temperature +550 °C, temporarily +600 °C,<br>INCONEL 600, maximum temperature +1100 °C, temporarily +1200 °C<br>Other materials on request                                     |
| <b>Connectors</b>                          | Construction "313" = connector with round pins, STD<br>Construction "314" = connector with flat pins, mini<br>(Note: maximum safe temperature for connector +180 °C, unless other wise specified) |
| <b>Diameter</b>                            | 0.5 / 1.0 / 1.5 / 2.0 / 3.0 / 4.5 / 6.0 mm<br>(Note: mini connector up to 4.5 mm element diameter)  |
| <b>Color</b>                               | According to EN 60584   |
| <b>Tolerances thermocouple (IEC 60584)</b> | Type J tolerance class 1 = -40...375 °C ±1.5 °C, 375...750 °C ±0.004 x t<br>Type K and N tolerance class 1 = -40...375 °C ±1.5 °C, 375...1000 °C ±0.004 x t                                       |
| <b>Temperature range thermocouple</b>      | -200...+1200 °C, depending on thermocouple type and sensor element material   |
| <b>Approvals</b>                           | METROLOGICAL PATTERN APPROVAL   |
| <b>Quality certificate</b>                 | ISO 9001:2015 issued by DNV-GL  |

**EPIC® SENSORS T-M-313 or T-M-314**  
**Mineral insulated thermocouple insert with connector**

**Thermoelement connections**

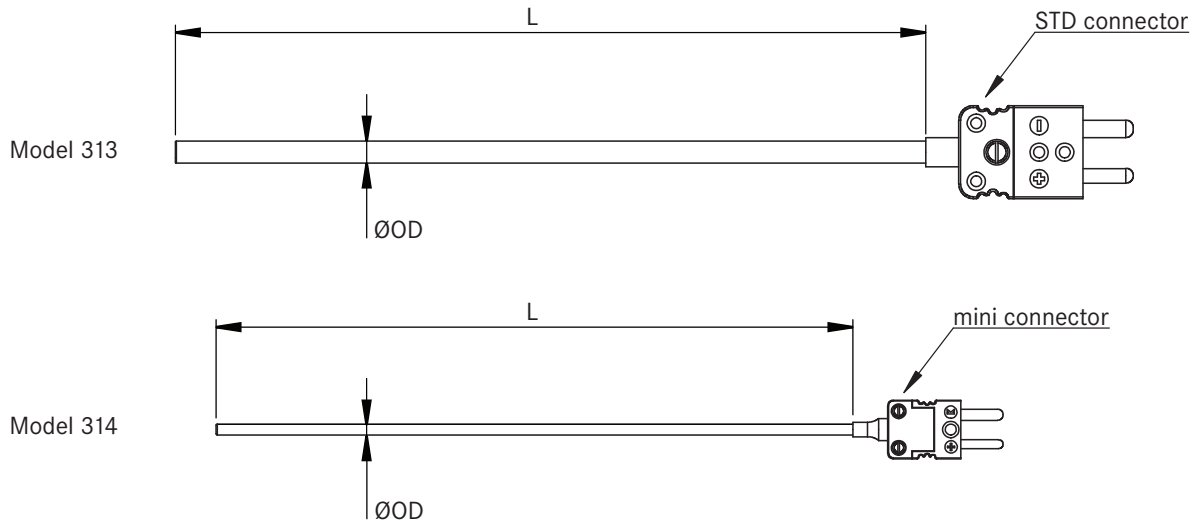


**Installation examples**



**EPIC® SENSORS T-M-313 or T-M-314**  
**Mineral insulated thermocouple insert with connector**

**Drawing**



**Product code key**

Example code: T – M – 313 – 3 / 1000 – K – 1 – X

