

**EPIC® SENSORS W-E-Ø-HST-S / W-E-Ø-HST-CLAMP**

**Acid proof temperature sensor for hygienic installation**

**Features**

- temperature range -200...+550 °C
- shaped for hygienic installations
- neck pipe for heat source clearance
- all parts made of acid proof steel
- Pt 100 as sensing element
- Pt 100 accuracy class A as standard delivery
- mounting by weldable ball flange or with tri-clamp fitting
- thermowell material according to the application
- MI cable structured inner element
- inner element replaceable on the fly
- vibration proof
- tailored solutions according to customer specific needs.

**Typical applications**

- food industry
- pharmaceutical industry
- chemical industry
- process industry
- energy and power plant technology
- machinery and vessel construction
- manufacturing industry.



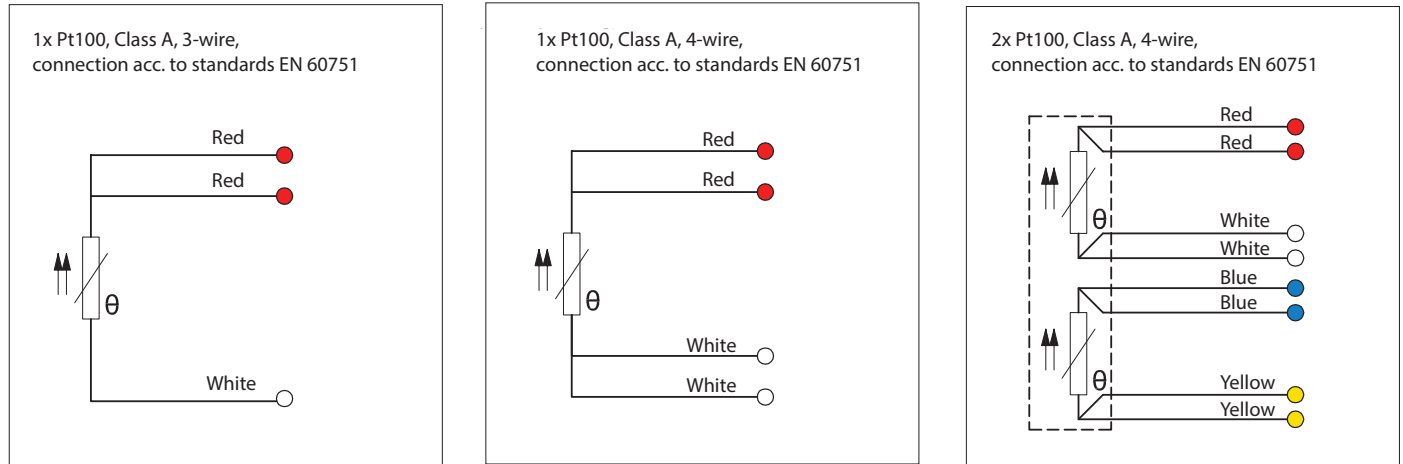
**Technical data**

<b>Materials</b>	AISI 316 L, max. temperature +550 °C, temporarily +600 °C, other materials on request
<b>Tolerances Pt 100 (IEC 60751)</b>	A tolerance $\pm 0.15 + 0.002 \times t$ , operating temperature -100...+450 °C B tolerance $\pm 0.3 + 0.005 \times t$ , operating temperature -196...+600 °C B 1/3 DIN, tolerance $\pm 1/3 \times (0.3 + 0.005 \times t)$ , operating temperature -196...+600 °C B 1/10 DIN, tolerance $\pm 1/10 \times (0.3 + 0.005 \times t)$ , operating temperature -196...+600 °C
<b>Temperature range Pt100</b>	-200...+550 °C, depending on materials and neck pipe length
<b>Approvals</b>	EAC EMC, METROLOGICAL PATTERN APPROVAL
<b>Quality certificate</b>	ISO 9001:2015 issued by DNV-GL
<b>IP rating</b>	IP65, higher IP rating on request

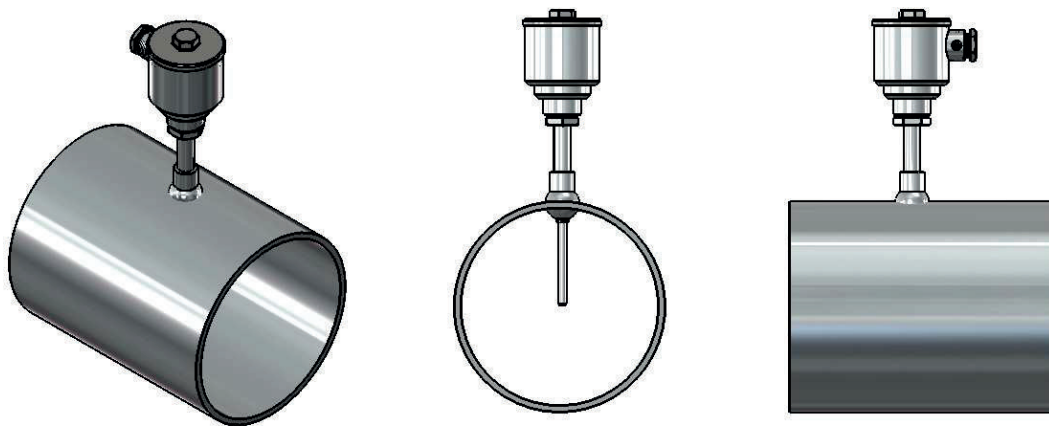
**EPIC® SENSORS W-E-Ø-HST-S / W-E-Ø-HST-CLAMP**

Acid proof temperature sensor

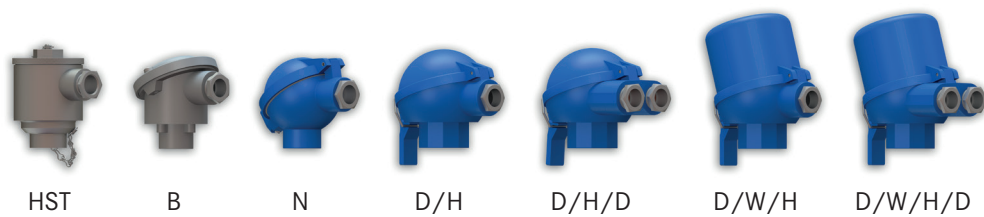
**Pt100 connections**



**Installation examples**



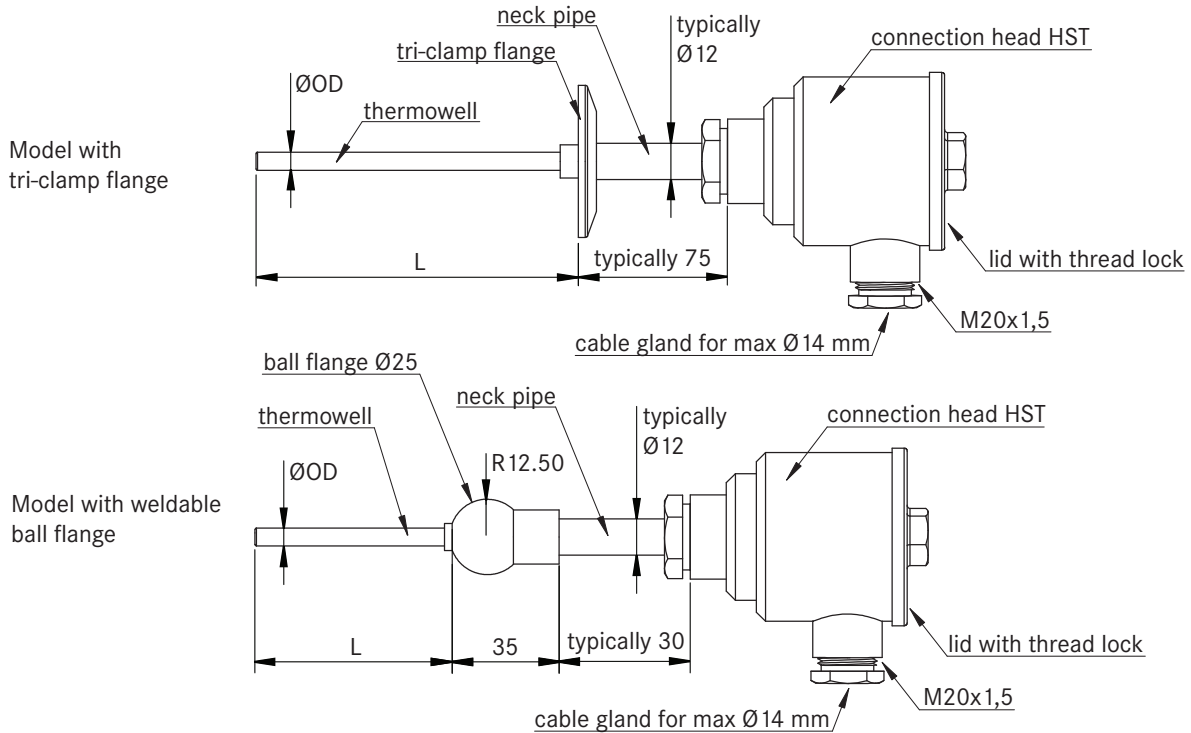
**Connection heads**



**EPIC® SENSORS W-E-Ø-HST-S / W-E-Ø-HST-CLAMP**

**Acid proof temperature sensor**

**Drawing**



**Product code key**

Example code: **W — E — 6 — HST — S — 500 — 4 — A — TR — X**

W	= Pt100 resistance thermometer
2xW	= 2 x Pt100 resistance thermometer
E	= sensor for food processing industry (constant in code)
6, 9, 11	= outer diameter of thermowell (ØOD) [mm] (other diameters on request)
B	= connection head B
D/H	= connection head with snap lock
D/H/D	= connection head with snap lock and double barrel (2x cable gland)
D/W/H	= high cover connection head with snap lock
D/W/H/D	= high cover connection head with snap lock and double barrel (2x cable gland)
HST	= acid proof connection head
N	= connection head N
S	= with weldable ball flange Ø25 mm
CLAMP/51	= tri-clamp flange with diameter Ø51 mm (all sizes available)
500	= immersion length, L [mm]
4,3,2	= Pt100 wire count
A,B	= Pt100 accuracy class, (class A as standard delivery)
TR	= wires for transmitter connection
CB	= with ceramic terminal block
X	= additional details on the text line

