

EPIC® SENSORS T-B-ØK / W-B-ØK
Threaded temperature sensor without cooling neck

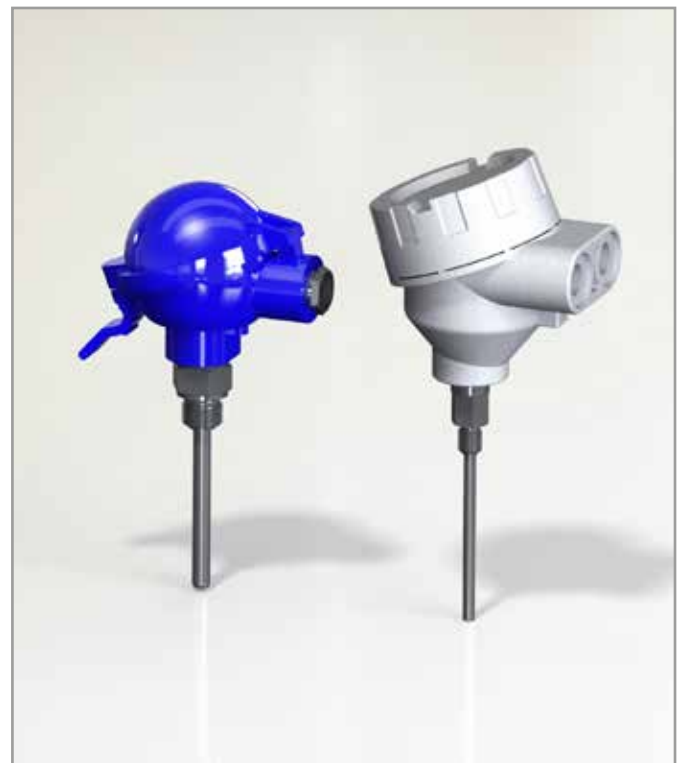
According to DIN 43772 form 2

Features

- Temperature range -40...+250 °C
- Pt100 or thermocouple
- Thermowell material according to the application
- Pt100, accuracy class A, as a standard, more accurate on request. TC, class 1 as a standard
- Replaceable inner element, MI-construction
- Tailored solutions according to specific needs
- ATEX-version Ex db also available.

Typical applications

- Energy and power plant technology
- Process industry
- Chemical industry
- Machinery, plant and vessel construction.



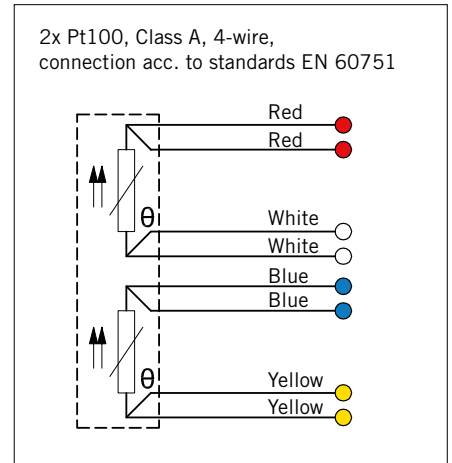
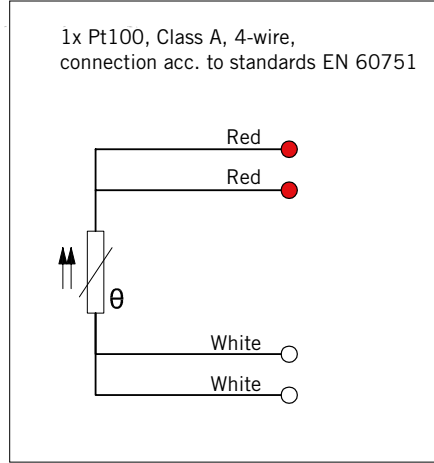
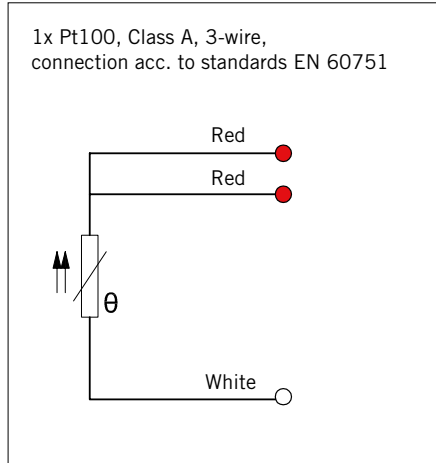
Technical data

Thermowell material	AISI 316L, max. temp. +250 °C, temporarily +300 °C
Standard thread options	G, R, NPT, M, others on request
Tolerances Pt100 (IEC 60751)	A, tolerance +/- 0.15 + 0.002 x t, operating temperature -100...+450 °C B, tolerance +/- 0.3 + 0.005 x t, operating temperature -196...+600 °C B 1/3 DIN, tolerance +/- 1/3 x (0.3 + 0.005 x t), operating temperature -196...+600 °C B 1/10 DIN, tolerance +/- 1/10 x (0.3 + 0.005 x t), operating temperature -196...+600 °C
Tolerances TC (IEC 60584)	Type J tolerance class 1 = -40...375 °C +/- 1.5 °C, 375...750 °C +/- 0.004 x t Type K and N tolerance class 1 = -40...375 °C +/- 1.5 °C, 375...1000 °C +/- 0.004 x t
Temperature range Pt100	-40...+250 °C
Temperature range TC TC = thermo couple	-40...+250 °C depending on thermocouple type
Approvals	ATEX, METROLOGICAL PATTERN APPROVAL
Quality certificate	ISO 9001:2015 issued by DNV
IP-class	IP65, higher IP-class on request

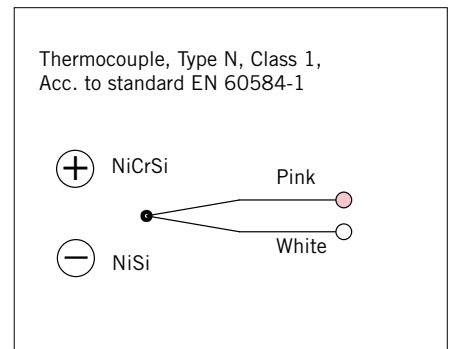
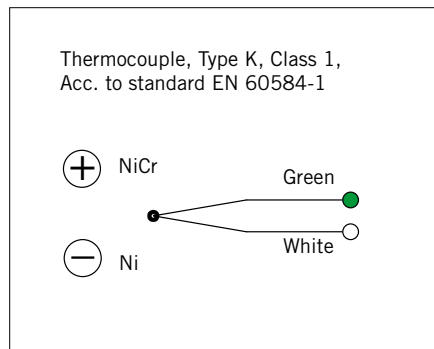
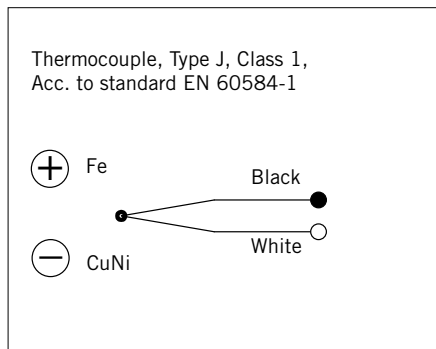
EPIC® SENSORS T-B-ØK / W-B-ØK
Threaded temperature sensor without cooling neck

According to DIN 43772 form 2

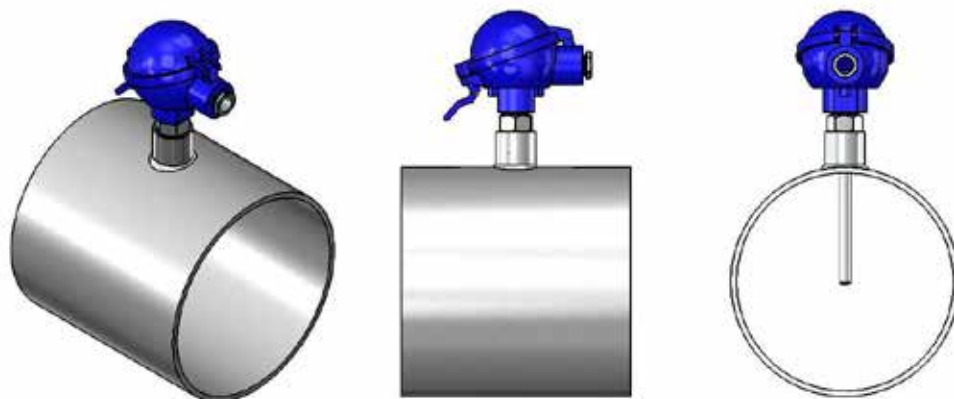
Pt100 connections



Thermoelement connections



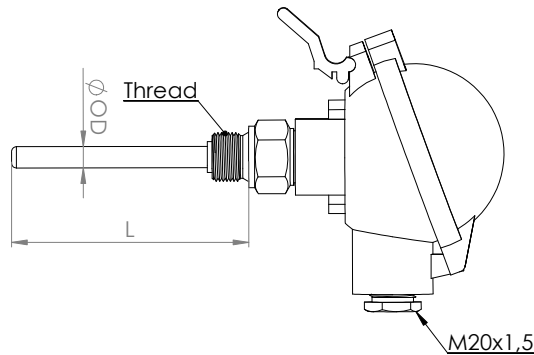
Installation examples



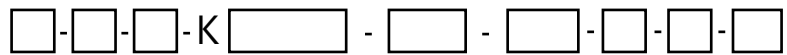
EPIC® SENSORS T-B-ØK / W-B-ØK
Threaded temperature sensor without cooling neck

According to DIN 43772 form 2

Drawing



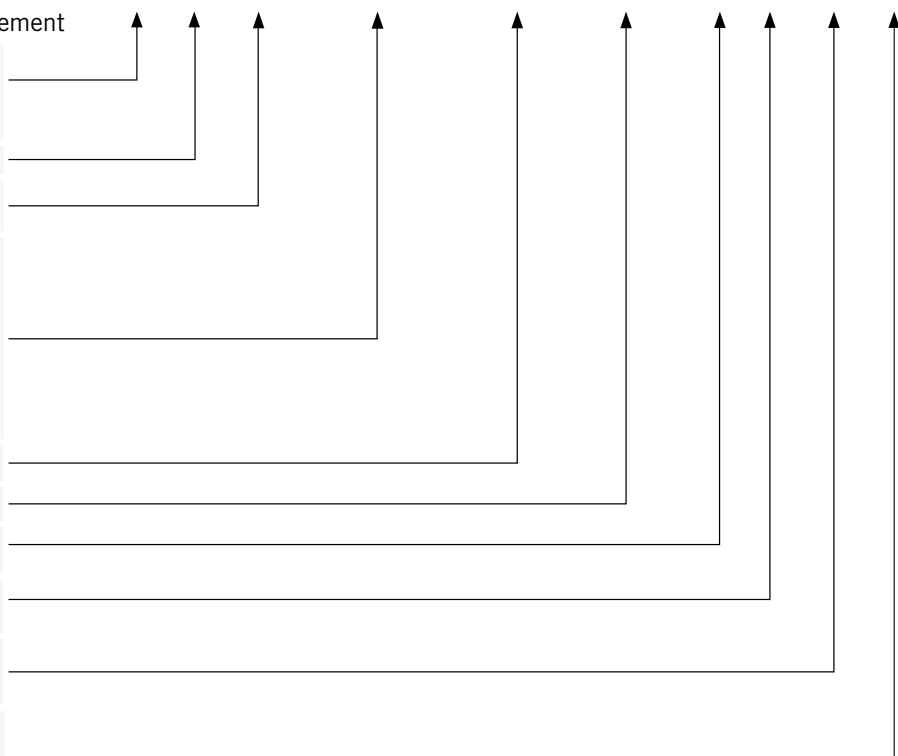
Product code key



Example code: W - B - 9K - D / H - 160 - G½" - 4 - A - TR - X

Well + Pt100/Thermocouple Sensing Element

W	= Pt100 resistance sensor
2xW	= 2xPt100 resistance sensor
T	= Thermocouple
2xT	= 2 x Thermocouple
B	= coupling thread
9	= ØOD = well diameter (mm)
K	= no cooling neck
B	= connection head BL
D	= connection head DAN
D/H	= connection head DAN, cover with snap lock (standard)
D/W/H	= connection head high, cover with snap lock
EXD	= connection head ATEX
HST	= acid proof connection head
N	= connection head NA
160	= L = immersion depth (mm)
G½"	= thread size
4,3,2	= Pt 100 number of connection wires
K,N,J	= TC type of thermocouple
A,B	= Pt100 precision class A (STANDARD)
1,2,3	= TC accuracy class 1 (STANDARD)
TR	= free wires for transmitter
CB	= with ceramic terminal block
X	= additional details on the text line



Connection heads

