

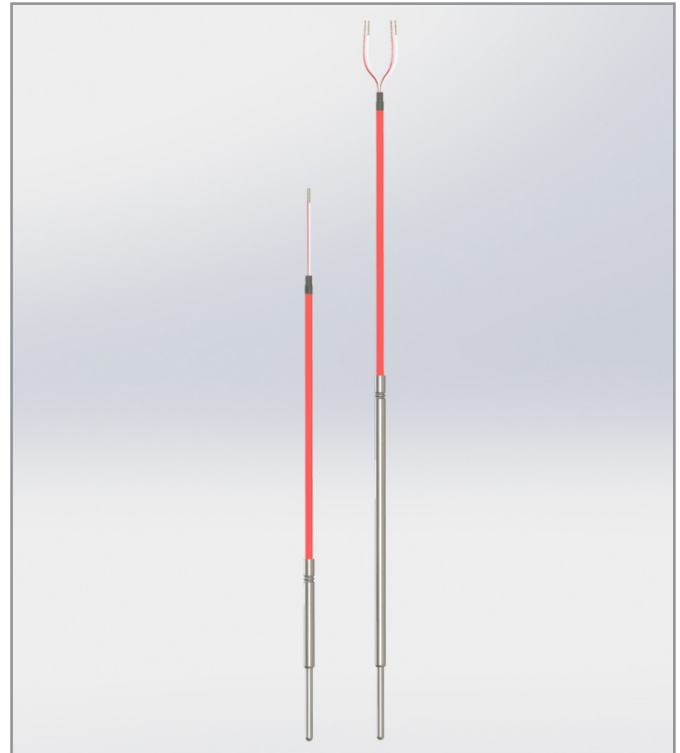
EPIC® SENSORS W-63 or 2xW-63
Autoclave temperature sensor with cable

Features

- temperature range -60...+180 °C
- suitable for autoclaves and steam chambers
- medical grade components
- material AISI316/AISI 316L
- Pt100 accuracy class A as standard delivery
- W-63 available with M12 connector (5 poles, 4 signal and 1 ground)
- EMI shielded cable
- 3D step models available on request.

Typical applications

- autoclaves
- sterilization devices
- steam chambers
- manufacturing industry.

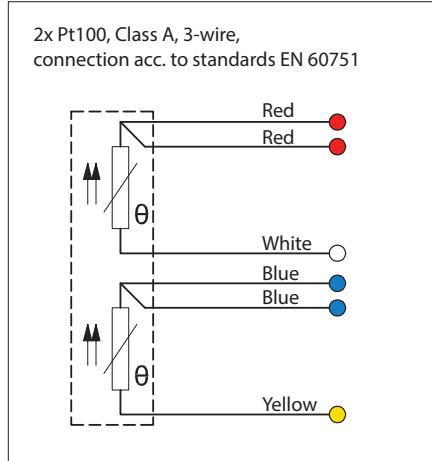
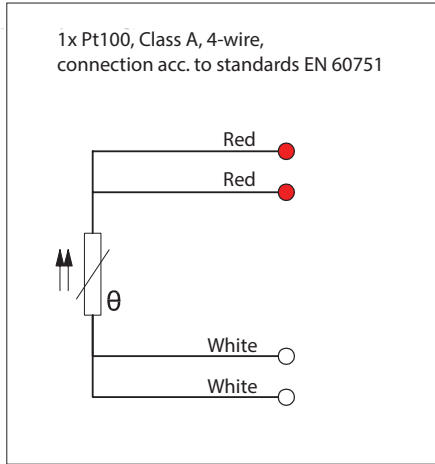


Technical data

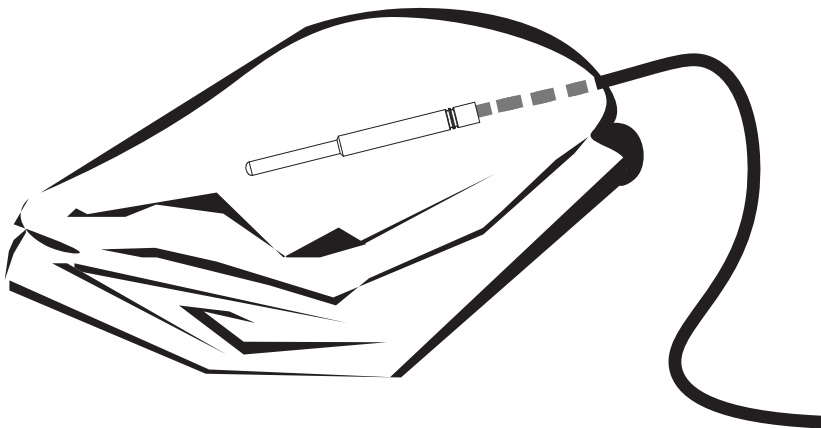
Materials	AISI316/AISI 316L, maximum temperature +180 °C,
Surface roughness	Ra = 0,6 µm
Cable material	FDS = FEP wire insulation/braid shield/silicone jacket, max. +180 °C (medical grade silicone)
Tolerances Pt 100 (IEC 60751)	A tolerance $\pm 0.15 + 0.002 \times t$, operating temperature -100...+450 °C B tolerance $\pm 0.3 + 0.005 \times t$, operating temperature -196...+600 °C B 1/3 DIN, tolerance $\pm 1/3 \times (0.3 + 0.005 \times t)$, operating temperature -196...+600 °C B 1/10 DIN, tolerance $\pm 1/10 \times (0.3 + 0.005 \times t)$, operating temperature -196...+600 °C
Temperature range	-60...+180 °C
Approvals	METROLOGICAL PATTERN APPROVAL
Quality certificate	ISO 9001:2015 issued by DNV-GL
IP rating	IP65, higher IP rating on request

EPIC® SENSORS W-63 or 2xW-63
Autoclave temperature sensor with cable

Pt-100 connections

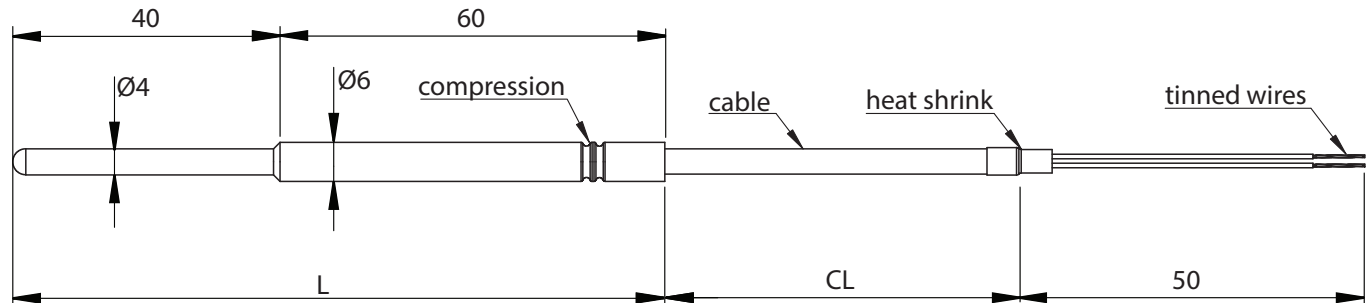


Installation example



EPIC® SENSORS W-63 or 2xW-63
Autoclave temperature sensor with cable

Drawing



Product code key

Example code: W — 63 — 100 — 5000 / FDS — 4 — A — X

W	= Pt100 resistance thermometer
2xW	= 2 x Pt100 resistance thermometer
63	= autoclave sensor (constant in code)
100	= length of sensor element, L [mm]
5000	= cable length, CL [mm]
FDS	= cable material (for more information, look technical data on first page of the datasheet)
4,3	= Pt100 wire count
A,B	= Pt100 accuracy class, (class A as standard delivery)
X	= additional details on the text line

