

**EPIC® SENSORS T-A-Ø / W-A-Ø or T-A-Ø-U / W-A-Ø-U**

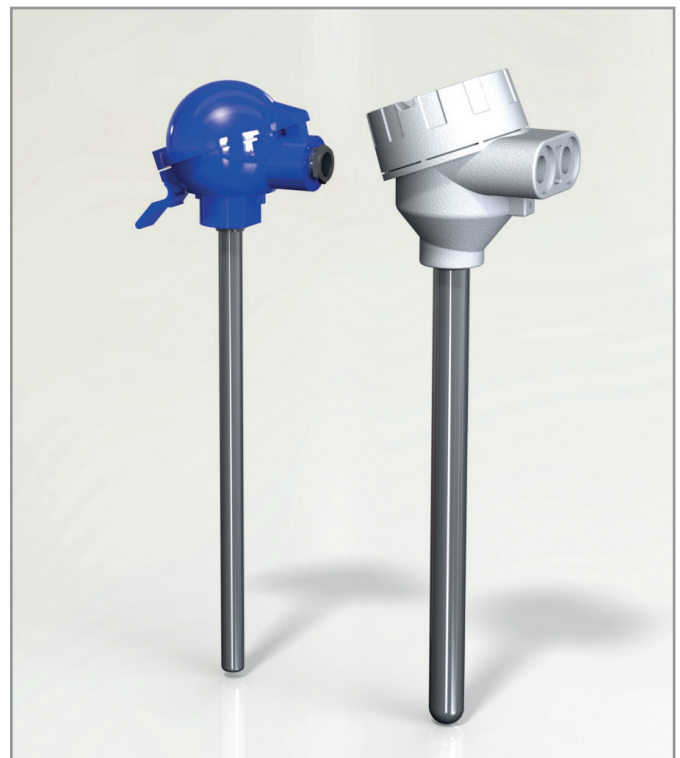
**Immersible temperature sensor**

**Features**

- according to DIN 43772 form 1
- temperature range -200...+1200 °C
- AISI 316L/EN1.4044 or heat-resistant steel AISI 446-1/EN1.4749 as typical material, other materials on request
- available with solid tip
- 200 mm as typical length for the solid tip
- Pt100 or thermocouple as sensing element
- Pt100 accuracy class A as standard delivery
- thermocouple accuracy class 1 as standard delivery
- MI cable structured sensor element
- internal sensor element replaceable on the fly
- tailored solutions according to customer specific needs
- ATEX compatible Ex db version also available.

**Typical applications**

- energy and power plant technology
- process industry
- chemical industry
- machinery and vessel construction
- manufacturing industry.

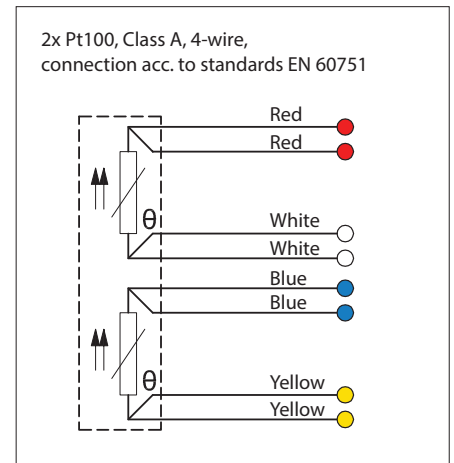
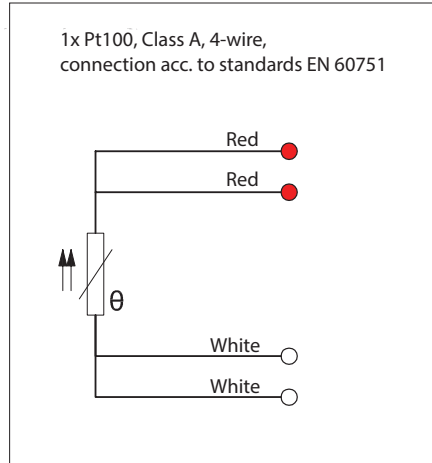
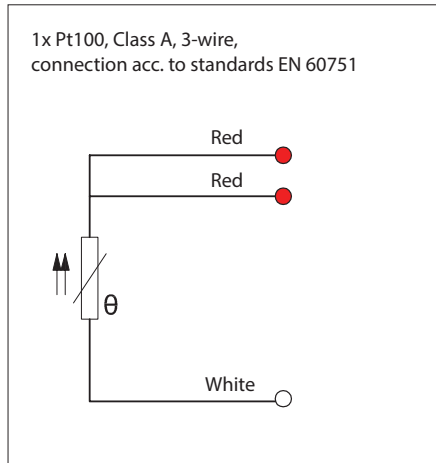


**Technical data**

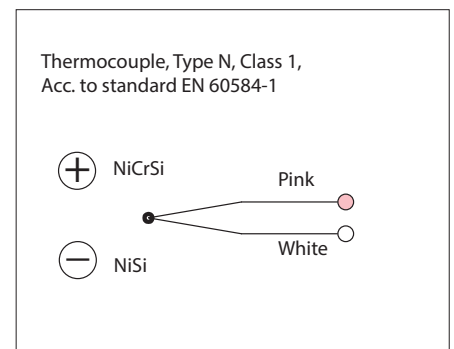
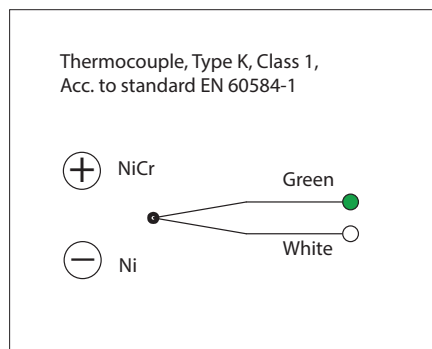
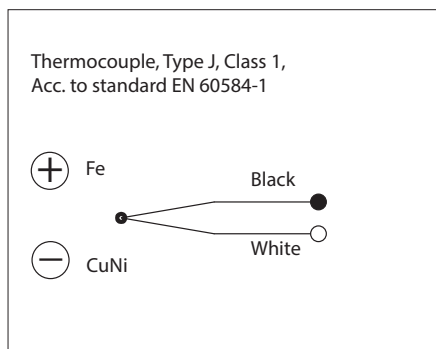
<b>Thermowell material</b>	AISI 316L/EN1.4044 max. temperature +550 °C, temporarily +600 °C, AISI 446-1/EN1.4749 max. temperature +1100 °C, temporarily +1200 °C Other materials on request
<b>Thermowell tip material</b>	AISI 316L/EN1.4044 max. temperature +550 °C, temporarily +600 °C AISI 446-1/EN1.4749 max. temperature +1100 °C, temporarily +1200 °C Other materials on request
<b>Tolerances Pt100 (IEC 60751)</b>	A tolerance $\pm 0.15 + 0.002 \times t$ , operating temperature -100...+450 °C B tolerance $\pm 0.3 + 0.005 \times t$ , operating temperature -196...+600 °C B 1/3 DIN, tolerance $\pm 1/3 \times (0.3 + 0.005 \times t)$ , operating temperature -196...+600 °C B 1/10 DIN, tolerance $\pm 1/10 \times (0.3 + 0.005 \times t)$ , operating temperature -196...+600 °C
<b>Tolerances thermocouple (IEC 60584)</b>	Type J tolerance class 1 = -40...375 °C $\pm 1.5$ °C, 375...750 °C $\pm 0.004 \times t$ Type K and N tolerance class 1 = -40...375 °C $\pm 1.5$ °C, 375...1000 °C $\pm 0.004 \times t$
<b>Temperature range Pt100</b>	-200...+550 °C, depending on housing and thermowell materials
<b>Temperature range thermocouple</b>	-200...+1200 °C, depending on thermocouple type and thermowell materials
<b>Approvals</b>	ATEX, IECEx, EAC Ex, EAC EMC, METROLOGICAL PATTERN APPROVAL
<b>Quality certificate</b>	ISO 9001:2015 issued by DNV-GL
<b>IP rating</b>	IP65, higher IP rating on request

**EPIC® SENSORS T-A-Ø / W-A-Ø or T-A-Ø-U / W-A-Ø-U**  
**Immersible temperature sensor**

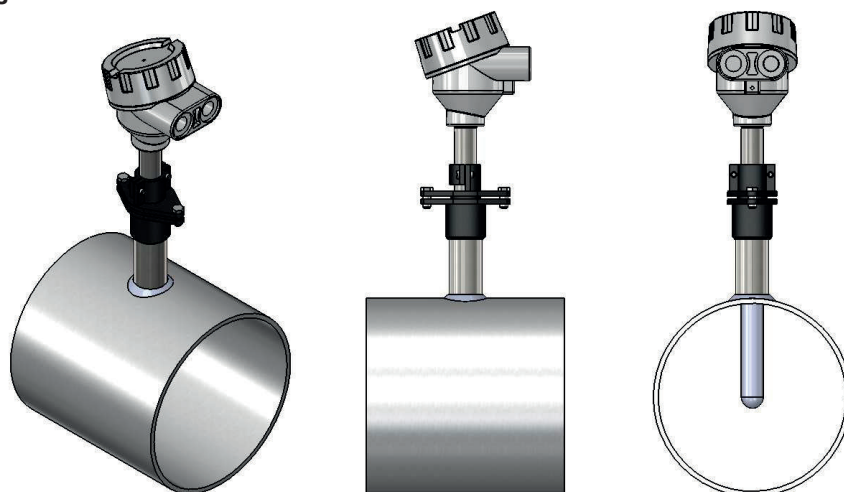
**Pt100 connections**



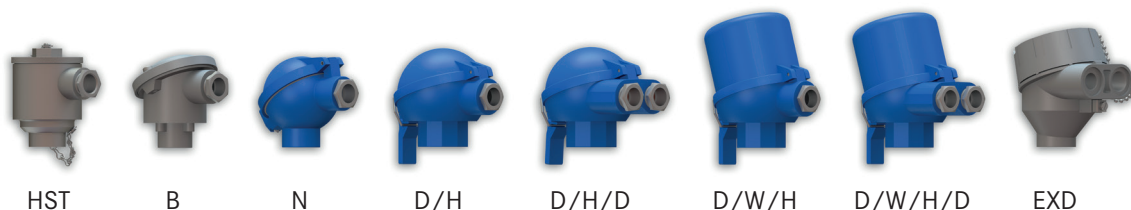
**Thermoelement connections**



**Installation examples**



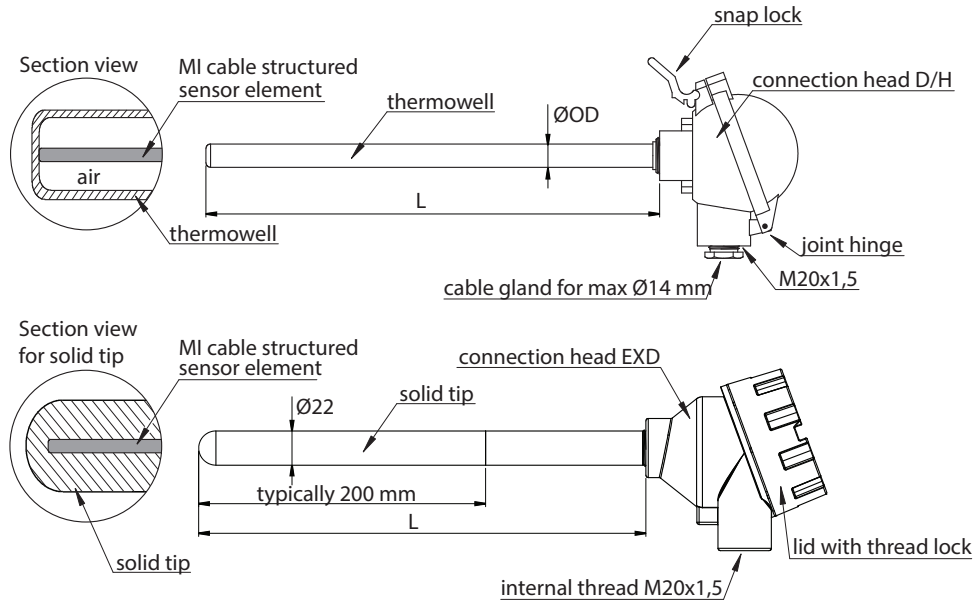
**Connection heads**



**EPIC® SENSORS T-A-Ø / W-A-Ø or T-A-Ø-U / W-A-Ø-U**

**Immersible temperature sensor**

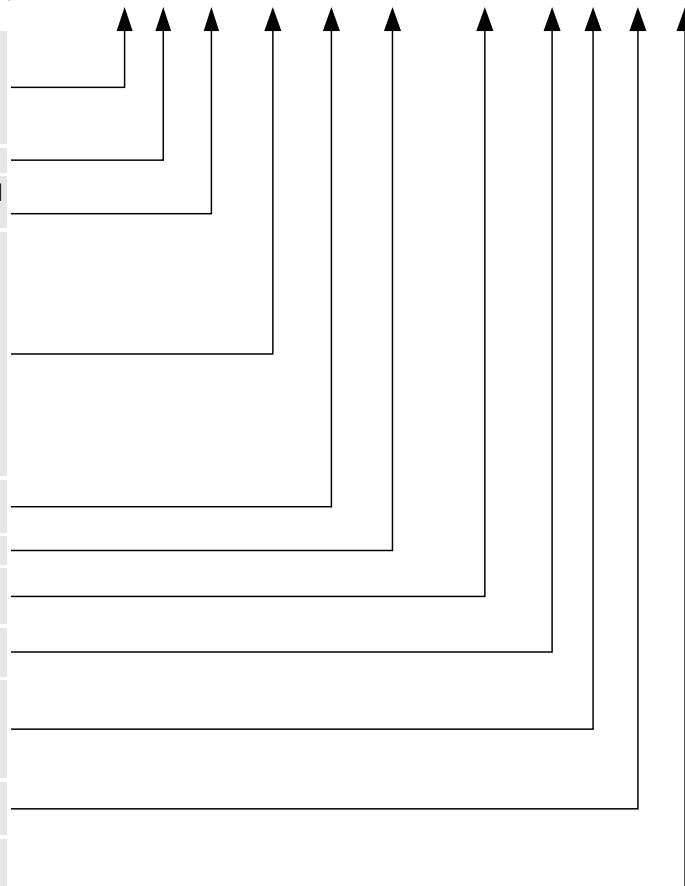
**Drawing**



**Product code key**

Example code: T – A – 22 – D/H – U / 1000 / 1.4749 – K – 1 – TR – X

W	= Pt100 resistance thermometer
2xW	= 2 x Pt100 resistance thermometer
T	= thermocouple
2xT	= 2 x thermocouple
A	= immersible sensor type (constant in code)
10, 22	= outer diameter of sensor element (ØOD) [mm] (other diameters available on request)
B	= connection head B
D/H	= connection head with snap lock
D/H/D	= connection head with snap lock and double barrel (2x cable gland)
D/W/H	= high cover connection head with snap lock
D/W/H/D	= high cover connection head with snap lock and double barrel (2x cable gland)
EXD	= ATEX-compatible connection head
HST	= acid proof connection head
N	= connection head N
empty	= without solid tip
U	= with solid tip (tip length typically 200 mm)
1000	= length, L [mm]
1.4404, 1.4749	= thermowell or tip material, (other materials on request)
4,3,2	= Pt100 wire count
K,N,J	= thermocouple type
A,B	= Pt100 accuracy class, (class A as standard delivery)
1,2,3	= thermocouple accuracy class, (class 1 as standard delivery)
TR	= wires for transmitter connection
CB	= with ceramic terminal block
X	= additional details on the text line



**W-A-22-EXD-500/1.4404-4-A-CB**

Pt100 resistance thermometer for 4 wire measurement, Pt100 with accuracy class A, immersible sensor type, 22 mm diameter for sensor element, ATEX compatible housing, without solid tip, sensor length 500 mm, materials AISI316L/EN1.4404, with ceramic block for cable connection.