

Multi-point sensor W-MP / T-MP

Features

- Multi-point measurement to the drilled well or container
- temperature range -200...+1200 °C
- Pt100 or thermocouple
- standard materials AISI 316L or INCONEL 600, others on request
- available with a connection box fixed to the flange or to be fixed separately
- Pt100, accuracy class A, as a standard, more accurate on request. TC, class 1 as a standard
- MI-construction, bendable, vibration proof
- tailored solutions according to specific needs
- ATEX-versions, Exi available

Typical Applications

- Energy and power plant technology
- Process industry
- Chemical industry

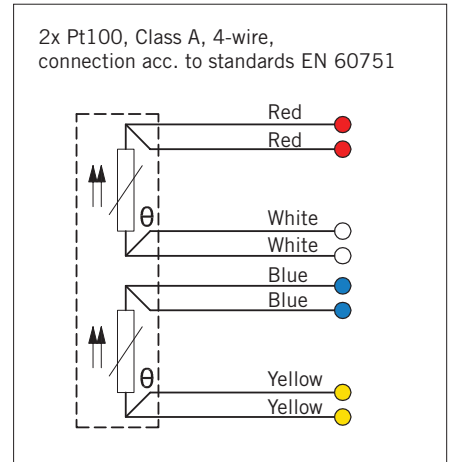
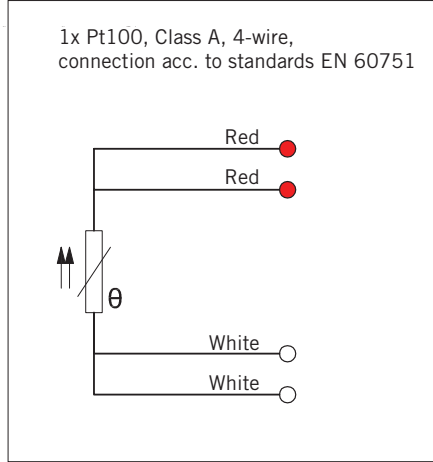
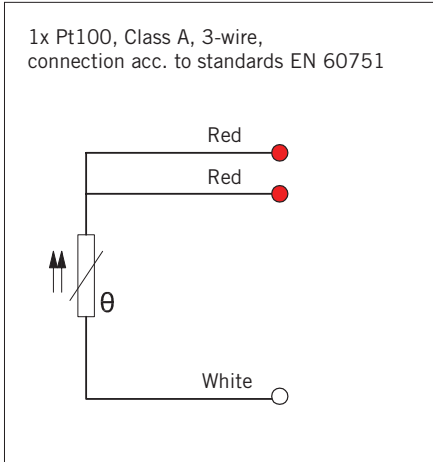
Technical data



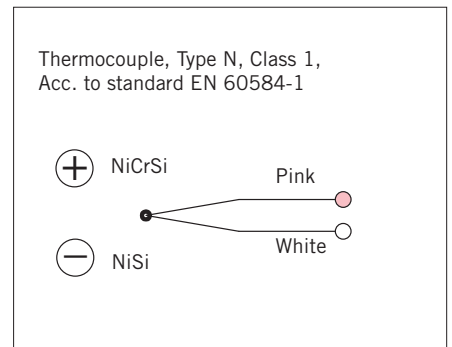
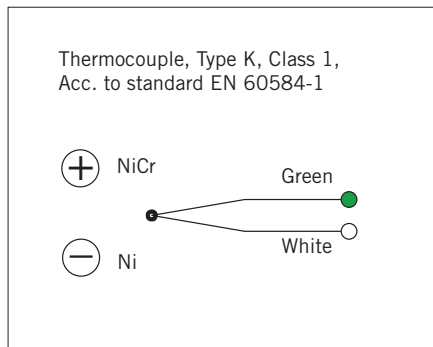
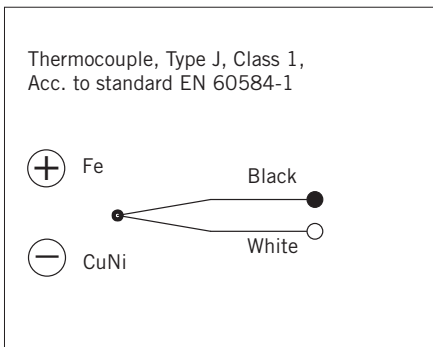
Mi-wire material	AISI, max. temp. +550 °C, temporarily +600 °C. INCONEL 600, max. +1000 °C, temporarily +1200 °C.
Flange material and type	AISI 316L others on request. Flange type according to ANSI, EN 1092-1, others on request
Elements	Made from MI-wire. Outer diameter 3 or 6 mm, others on request
Connection box	Material stainless steel, others on request
Cable material	SIL = silicon, max +180 °C FEP = teflon®, max +205 °C GGD = glass silk/metal braid, max +350 °C
Cable length	According to application
Tolerances Pt100 (EN-60751)	A, tolerance +/- 0,15 + 0,002 x t, operating temperature -100...+450 °C B, tolerance +/- 0,3 + 0,005 x t, operating temperature -196...+600 °C B 1/3 DIN, tolerance +/- 1/3 x (0,3 + 0,005 x t), operating temperature -196...+600 °C B 1/10 DIN, tolerance +/- 1/10 x (0,3 + 0,005 x t), operating temperature -196...+600 °C
Tolerances TC (EN-60584-2)	Type J tolerance class 1 = -40...375 °C +/- 1,5 °C, 375...750 °C +/- 0,004 x t Type K and N tolerance class 1 = -40...375 °C +/- 1,5 °C, 375...1000 °C +/- 0,004 x t
Temperature range Pt100	-200...+550 °C, depending on application and material.
Temperature range TC TC = thermocouple	-200...+1200 °C depending on thermocouple type and material.
Approvals	GOST-R, METROLOGICAL PATTERN APPROVAL, ROSTECHNADZOR
Quality certificate	ISO 9001:2008 issued by DNV

Multi-point sensor W-MP / T-MP

Pt 100 Connections

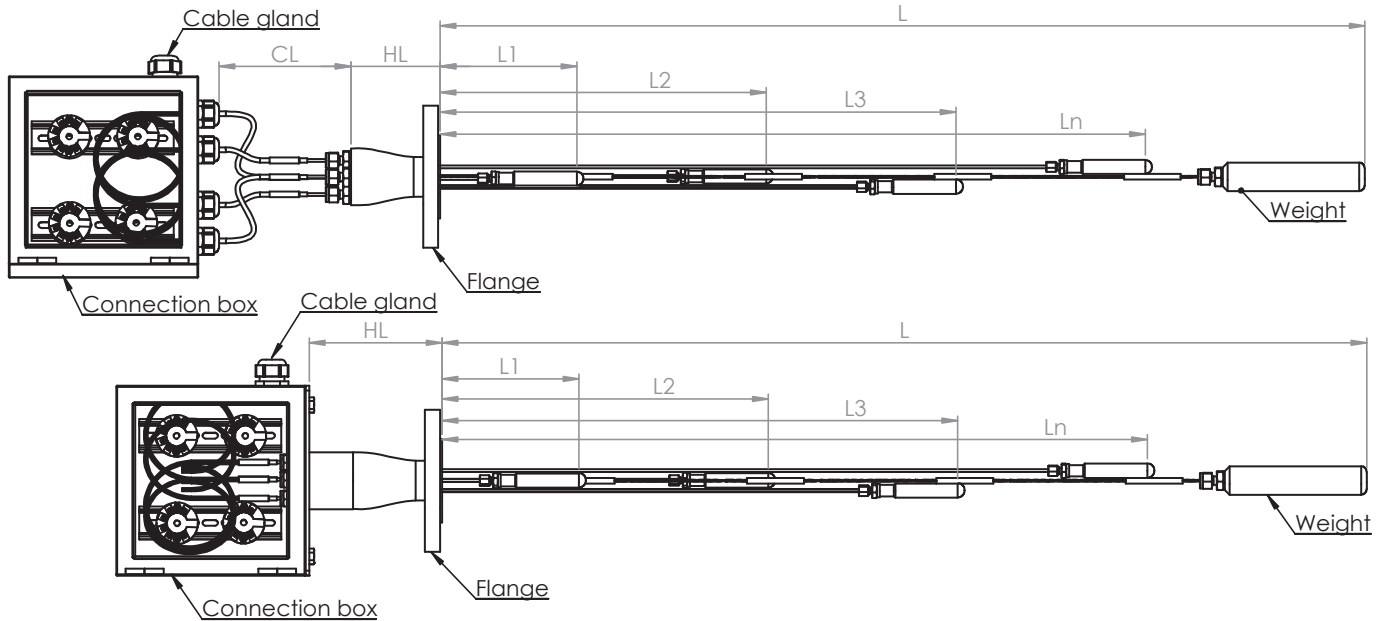


Thermoelement connections



Multi-point sensor W-MP / T-MP

Drawing



Product code key



Example code: 3XW - MP - 3 / 2500/5000/7500 - DN50/PN16/E - 4 - A - TR - BOX - X

Multi-point sensor W-MP / T-MP

- W = Pt100 resistance sensor
- 2xW = 2XPt100 resistance sensor
- nxW = n times Pt100 resistance sensor
- T = thermocouple
- 2xT = 2 x thermocouple
- nxT = n times thermocouple

MP = multipoint sensor

3 = sensor diameter

2500/... = sensor lengths

DN50/
PN16... = flange type

4,3,2 = Pt100 number of connection wires
K,N,J = TC type

A,B = Pt100 precision class A (STANDARD)
1,2,3 = TC accuracy class 1 (STANDARD)

TR = free wires for transmitter
CB = with ceramic terminal block

BOX = housing

X = additional details on the text line

