

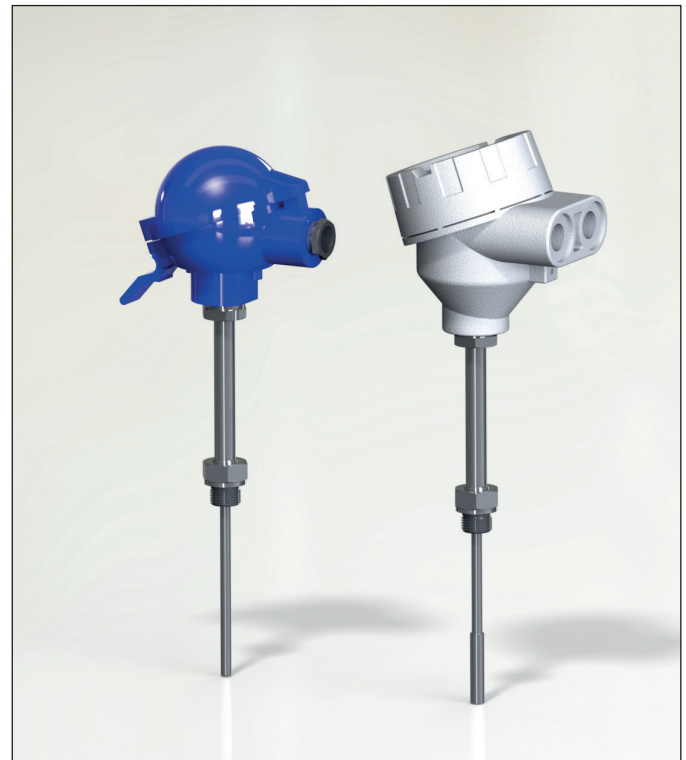
# Threaded Temperature Sensor W-H-12 / T-H-12

## Features

- temperature range -200...+1200 °C
- Pt100 or thermocouple
- fits to welded well
- length of sensing insert 315, 375 or 435mm, others on request
- Pt100, accuracy class A, as a standard, more accurate on request. TC, class 1 as a standard
- replaceable inner element, MI-construction
- tailored solutions according to specific needs
- ATEX-versions, Ex i and Ex d available

## Typical Applications

- Energy and power plant technology
- Process industry
- Chemical industry
- Machinery, plant and vessel construction



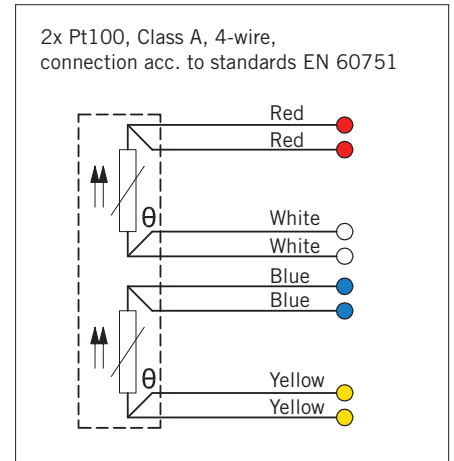
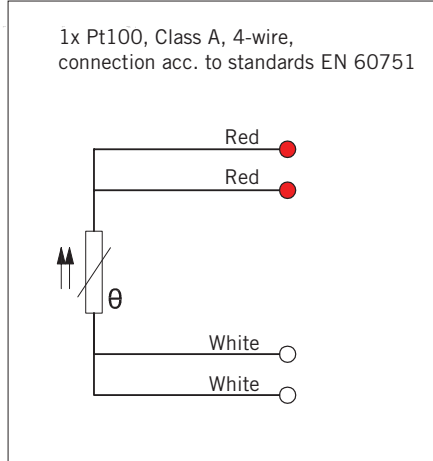
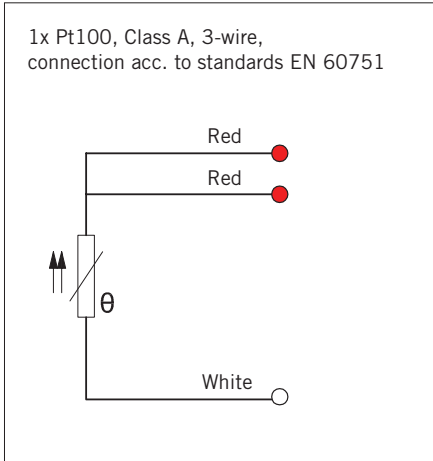
## Technical data

<b>Connection thread</b>	M14x1,5, M18x1,5, others on request.
<b>Inner element diameter</b>	3, 6 or 8 mm.
<b>Tolerances Pt100 (EN-60751)</b>	A, tolerance +/- 0,15 + 0,002 x t, operating temperature -100...+450 °C B, tolerance +/- 0,3 + 0,005 x t, operating temperature -196...+600 °C B 1/3 DIN, tolerance +/- 1/3 x (0,3 + 0,005 x t), operating temperature -196...+600 °C B 1/10 DIN, tolerance +/- 1/10 x (0,3 + 0,005 x t), operating temperature -196...+600 °C
<b>Tolerances TC (EN-60584-2)</b>	Type J tolerance class 1 = -40...375 °C +/- 1,5 °C, 375...750 °C +/- 0,004 x t Type K and N tolerance class 1 = -40...375 °C +/- 1,5 °C, 375...1000 °C +/- 0,004 x t
<b>Temperature range Pt100</b>	-200...+550 °C
<b>Temperature range TC</b>	-200...+1200 °C depending on thermocouple type and thermowell material
<b>Approvals</b>	ATEX, GOST-R, METROLOGICAL PATTERN APPROVAL, ROSTECHNADZOR
<b>Quality certificate</b>	ISO 9001:2008 issued by DNV
<b>IP-class</b>	IP65, higher IP-class on request

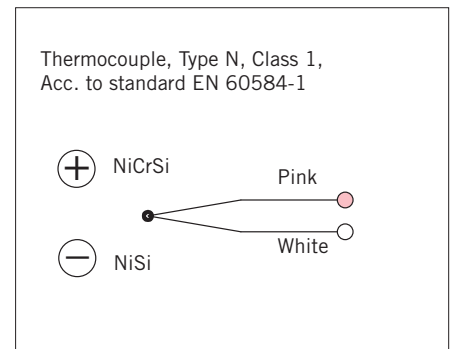
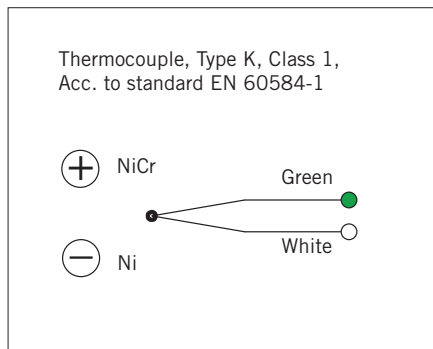
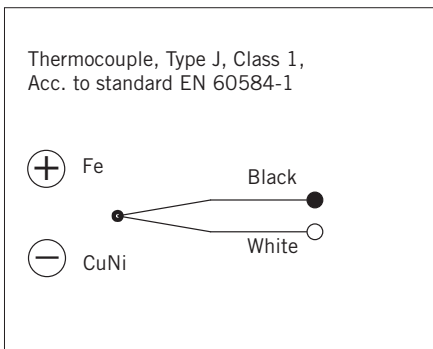


# Threaded Temperature Sensor W-H-12 / T-H-12

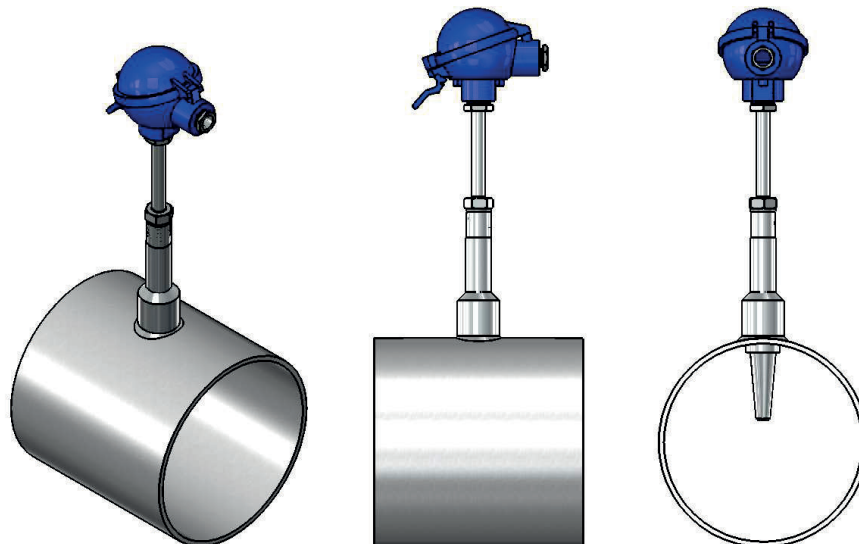
## Pt 100 Connections



## Thermoelement connections

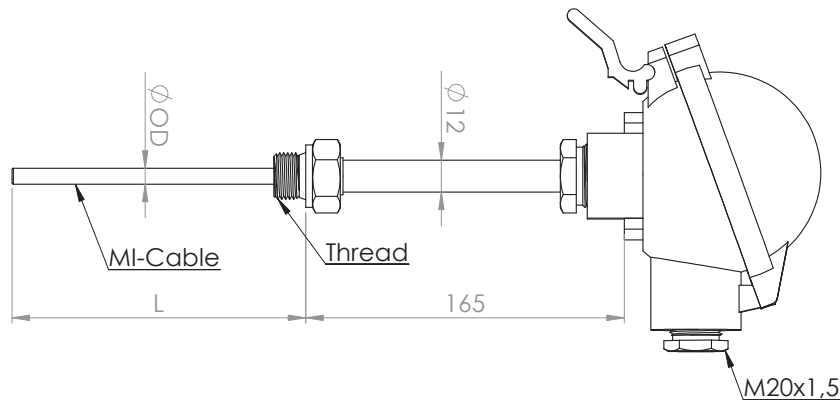


## Installation examples



# Threaded Temperature Sensor W-H-12 / T-H-12

## Drawing



## Product code key



**Example code:** W - H - 12 - D / W / H - G<sup>1</sup>/<sub>2</sub>" - 6 / 375 / 200 - 4 - A - TR - X

### Cooling neck

### + Pt100/Thermocouple Sensing Element

- W = Pt100 resistance sensor
- 2xW = 2xPt100 resistance sensor
- T = Thermocouple
- 2xT = 2 x Thermocouple

- H = cooling neck with thread
- 12 = cooling neck diameter (mm)

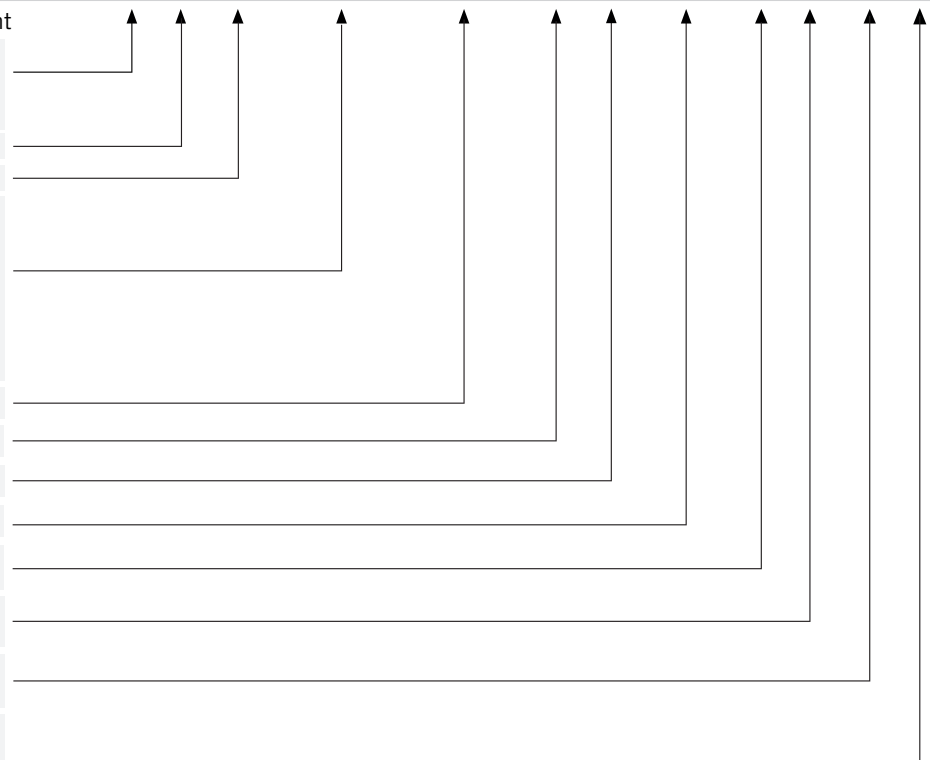
- B = connection head BL
- D = connection head DAN
- D/H = connection head DAN, cover with snap lock (standard)
- D/W/H = connection head high, cover with snap lock
- EXD = connection head ATEX
- HST = acid proof connection head
- N = connection head NA

- G<sup>1</sup>/<sub>2</sub>" = thread size
- 6 = diameter of sensing element (mm)
- 375 = length of element (mm)
- 200 = immersion depth (mm)

- 4,3,2 = Pt 100 number of connection wires
- K,N,J = TC type of thermocouple
- A,B = Pt100 precision class A (STANDARD)
- 1,2,3 = TC accuracy class 1 (STANDARD)

- TR = free wires for transmitter
- CB = with ceramic terminal block

- X = additional details on the text line



## Connection heads

